

# INCEPTOR® MILLI

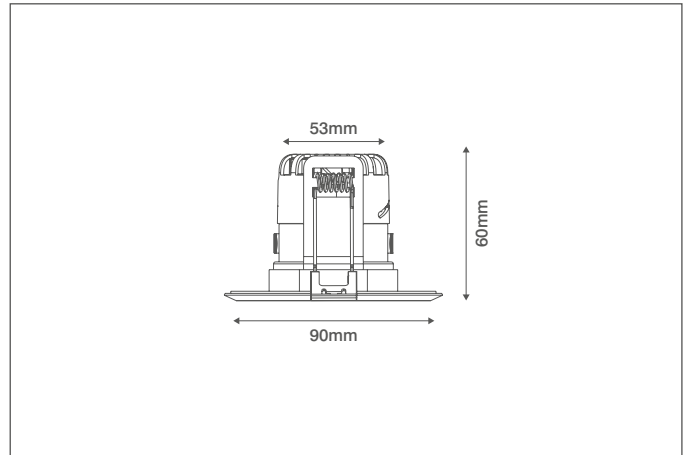
## Technical Specification

Product Code: OXM-SC

Luckinslive 436166521



Description: 4-6.4W Dimmable LED Downlight With CCT Switch IP65 Satin Chrome



### General Information

Dimensions (mm)	90 (Dia.) x 60(D)
Materials	Bezel: ABS (Plated or Powder Coated); Rear Frame: Steel; Rear Housing: Polycarbonate; Lens: Polycarbonate
Bezel Finish	Satin Chrome
Product Weight (Kg)	0.22
Cutout Diameter Minimum (mm)	64
Cutout Diameter Maximum (mm)	75
Recess Depth (mm)	58
Ingress Protection	IP65
Impact Rating (IK)	IK05
Maximum Ceiling Thickness (mm)	37.5
Warranty (Years)	5

### Supply & Power Information

Continuous Operating Voltage (AC) (Hz)	220-240 (50)
Safety Class	I
Circuit Wattage (W)	4 / 6.4
LED Wattage Options (W)	4 / 6.4
Input Current (mA)	40
Inrush Current	1.08A (27ms)
Power Factor	>0.9
Driver Information	Integrated
Operating Temperature (°C)	-5 to +25
Maximum Critical Temperature (°C)	+115
Prewired Flow™ Connector	Yes (3 Pole CT115-F + Loop Push-in Terminals)

### Luminaire Output

Colour Temperature (K)	2700	4000	6500
LED Wattage	4		
Typical Luminous Flux (lm)	430	480	480
Efficacy (lm/W)	108	120	120
LED Wattage	6.4		
Typical Luminous Flux (lm)	720	800	800
Efficacy (lm/W)	108	120	120
Beam Angle (°)	60		
Colour Rendering Index (CRI)	>80		
Unified Glare Rating (UGR)	28		
Flicker Free	Yes		
LED Lifetime (L70) (Hours)	35000		

### Dimming Information

Dimmable	Yes
Dimming Format	Triac

### Default Settings

CCT switch is preset on Cool White with Wattage selection preset on 6.4W

### Compatible Accessories

OEP6501 - 3 Hour Universal Emergency Pack with prewired Flow™ Connectors

### Additional Approvals

Fire Rating	30 Minutes: 'I' Joists, Metal Web and Solid Timber Joists 60 Minutes: 'I' Joists, Metal Web and Solid Timber Joists 90 Minutes: Solid Timber Joists
Acoustic Rating	0dB (zero impact on sound insulation)
Air Flow	BS 5250: 2011 compliant



OVIA Limited, Scolmore House, Mariner, Lichfield Road Industrial Estate, Tamworth, Staffordshire, B79 7UL United Kingdom

T: +44 (0)1827 300640

E: sales@oviaUK.com | W: oviaUK.com



Catalogue



Section



DoC



Installation



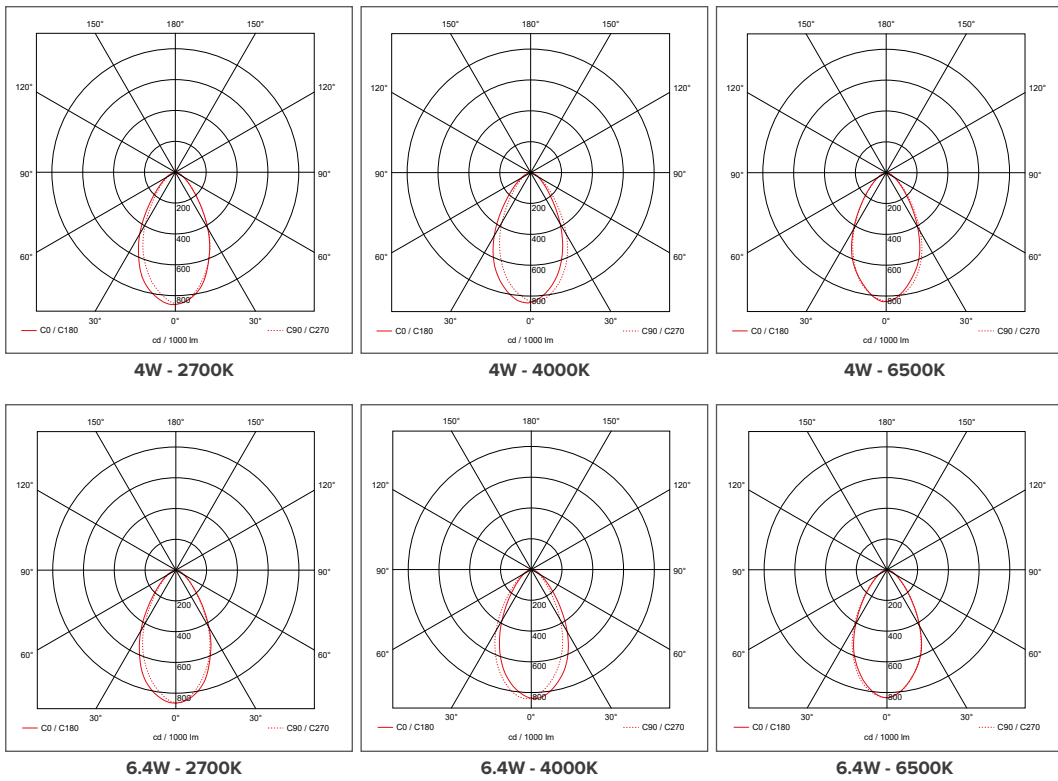
# INCEPTOR® MILLI

## Technical Specification

Product Code: OXM-SC

Luckinslive 436166521

Description: 4-6.4W Dimmable LED Downlight With CCT Switch IP65 Satin Chrome



OVIA Limited, Scolmore House, Mariner, Lichfield Road Industrial Estate,  
Tamworth, Staffordshire, B79 7UL United Kingdom

T: +44 (0)1827 300640

E: sales@oviaUK.com | W: oviaUK.com



Catalogue



Section



DoC



Installation

